

# Signature

Guy Bonneville

# BLAM

DRIVEN BY PASSION

## WS 8.120

### Subwoofer / Kickbass

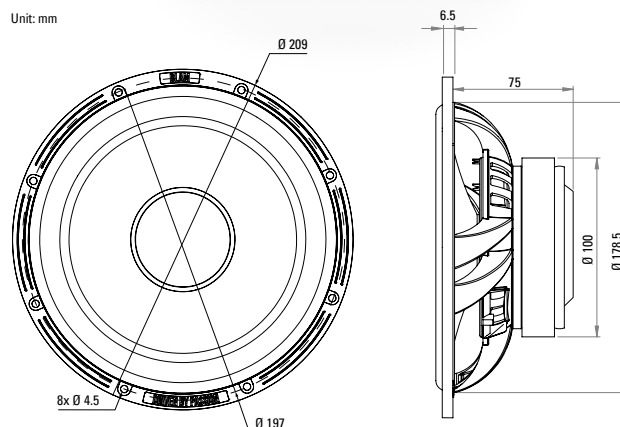
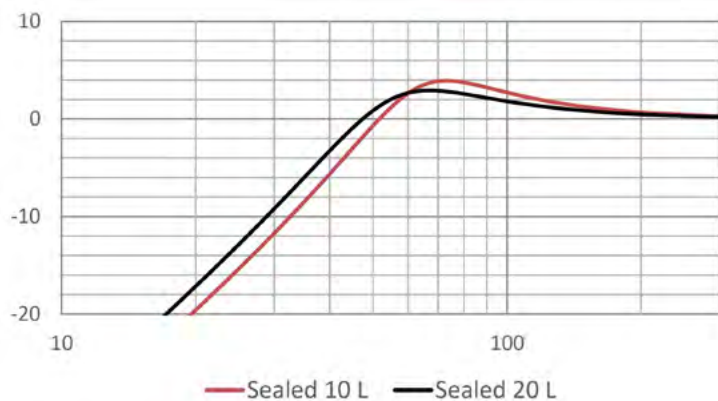
- Subwoofer 8" (200 mm)
- Max power 300 W / Nom. power 150 W
- Frequency response 30 Hz - 500 Hz
- Sensitivity 89 dB
- Impedance 2 Ohms

Die cast aluminium basket - Ultra rigid carbon fiber cone reinforced with fiberglass - Foam surround - Long life « Conex » damper - 38 mm (1.5") voice coil on fiber glass former - 120 mm x 20 mm (4.7" x 0.8") oversized magnetic motor - Gold plated terminal. Optimized for sealed and bass-reflex enclosure from 10 L (0.35 cf) to 20 L (0.71 cf)

#### TECHNICAL SPECIFICATIONS

<b>Component</b>	Subwoofer	
<b>Max power</b>	300 W	
<b>Nominal power</b>	150 W	
<b>Impedance</b>	2 Ω	
<b>Freq. Response</b>	56 Hz - 500 KHz	
<b>Sensitivity (2,83V/1m)</b>	89,0 dB	
<b>Magnet</b>	Ferrite	
<b>Magnet size Ø x h</b>	120 x 20 mm	4,73" x 0,79"
<b>Total driver displacement</b>	0,3 l	0,011 cf
<b>Weight of one component</b>	2,27 kg	5,004 lb
<b>Voice coil Ø</b>	38 mm	1,496"
<b>Voice coil height</b>	22,0 mm	0,866"
<b>Cone</b>	Carbon fiber	

#### FREQUENCY RESPONSE / IMPEDANCE



#### THIELE-SMALL PARAMETERS

<b>effective Ø (d)</b>	145 mm
<b>Sd</b>	186,27 cm <sup>2</sup>
<b>Xmax</b>	9 mm
<b>Re</b>	2,46 Ω
<b>Fs</b>	48,69 Hz
<b>Le</b>	439,68 μH @ 1 kHz
<b>L2</b>	1182,18 μH @10 kHz
<b>Vas</b>	9,36 L
<b>Mms</b>	55,63 g
<b>Cms</b>	0,192038 m/N
<b>BL</b>	7,85 Tm
<b>Qts</b>	0,62
<b>Qes</b>	0,68
<b>Qms</b>	7,55
<b>Sensitivity (dB/W/m)</b>	83,9 dB