

RELAX

Guy Bonneville

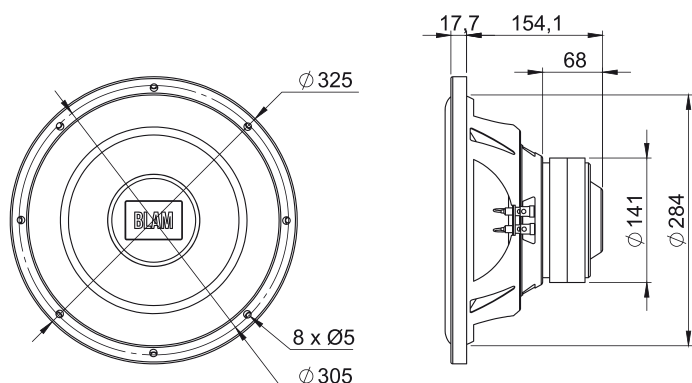
BLAM

DRIVEN BY PASSION

R12 DB

subwoofer

- Hi efficiency 325 mm (12") subwoofer
- Max. power 1000 W / Nominal Power 500 W

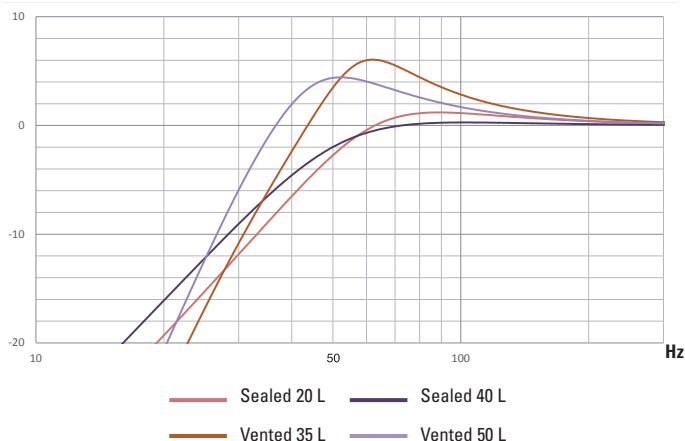


TECHNICAL SPECIFICATIONS

Component	Subwoofer	
Max power	1000 W	
Nominal power	500 W	
Impedance	2 x 2 Ω	
Freq. Response	37 Hz - 500 Hz	
Sensitivity (2,83V/1m)	95,5 dB	
Magnet	Ferrite	
Magnet size Ø x h	140 x 40 mm	5,512" x 1,575"
Total driver displacement	1,266 l	0,045 cf
Weight of one component	5,5 kg	12,125 lb
Voice coil Ø	60 mm	2,362"
Voice coil height	30 mm	1,181"
Cone	Rigid treated cellulose pulp	

FREQUENCY RESPONSE / IMPEDANCE

dB/SPL



THIELE-SMALL PARAMETERS

effective Ø (d)	250 mm	
Sd	490,87 cm ²	
Xmax	11 mm	
Re	1 Ω	
Fs	37,04 Hz	
Le	267,24 µH @ 1 kHz	
Le	835,52 µH @ 10 kHz	
Vas	36,45 L	
Mms	171,45 g	
Cms	0,000108 m/N	
BL	7,90 Tm	
Qts	0,59	
Qes	0,64	
Qms	6,69	
Sensitivity (dB/W/m)	86,5 dB	

SEALED

Internal volume Vb	Resonance frequency	Qtc	Fb	F-3dB	Boost
20 L	62 Hz	0,991	-	49 Hz	1,2 dB at 87 Hz
40 L	51 Hz	0,816	-	45 Hz	0,3 dB at 99 Hz

VENTED

Internal volume Vb	Internal ø port	Length port	Fb	F-3dB	Boost
35 L	10 cm	22 cm	48 Hz	41 Hz	6,1 dB at 62 Hz
50 L	10 cm	22 cm	35 Hz	34 Hz	4,4 dB at 54 Hz

contact@blam-audio.fr

www.facebook.com/blamaudio

www.blam-audio.fr