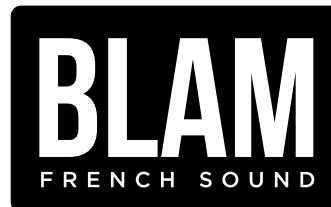


Signature

Multix Barrel



Driven by passion.

MB 690

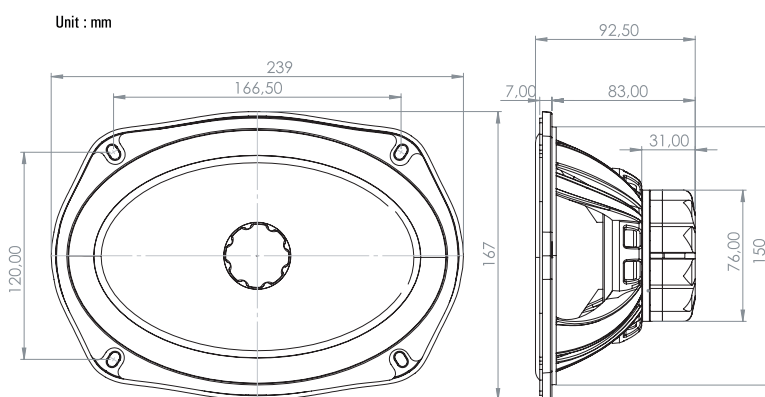
HIGH FIDELITY WOOFER

- 150 x 230 mm (6 x 9") high sensitivity woofer
- Max. power 250 W / Nom. Power 125 W
- Frequency response 55 Hz - 4.5 kHz
- Impedance 2 Ω

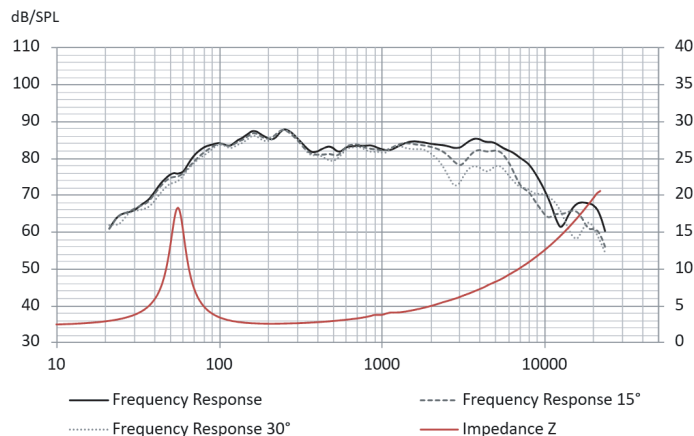


TECHNICAL SPECIFICATIONS

Component	Woofer	
Max power	250 W	
Nominal power	125 W	
Impedance	2 Ω	
Freq. Response	55 Hz - 4.5 KHz	
Sensitivity (2,83V/1m)	94.8 dB	
Magnet	Neodymium	
Magnet size Ø x h	76 x 8 mm	2.992 x 0.315"
Total driver displacement	0.11 l	0.004 cf
Weight of one component	1.037 kg	2.286 lb
Voice coil Ø	40 mm	1.496"
Voice coil height	17 mm	0.669"
Dome	Carbon fiber	



FREQUENCY RESPONSE / IMPEDANCE



THIELE-SMALL PARAMETERS

Effective Ø (d)	145.9 mm
Sd	212.8 cm ²
Xmax	6.0 mm
Re	2.2 Ω
Fs	55.66 Hz
Le	290 µH @ 1 kHz
L2	160 µH @ 10 kHz
Vas	21.75 L
Mms	23.75 g
Cms	0.3441 m/N
BL	5.07 Tm
Qts	0.63
Qes	0.71
Qms	5.53
Sensitivity (dB/W/m)	89.23 dB

contact@blam-audio.fr
www.facebook.com/blamaudio

blam-audio.com