

LIVE

Guy Bonneville

BLAM

DRIVEN BY PASSION

LW 165 S

Woofer

- Woofer 6-1/2" (165 mm)
- Max power 140 W / Nom. power 70 W
- Frequency response 55 Hz - 5 KHz
- Impedance 3 Ohms

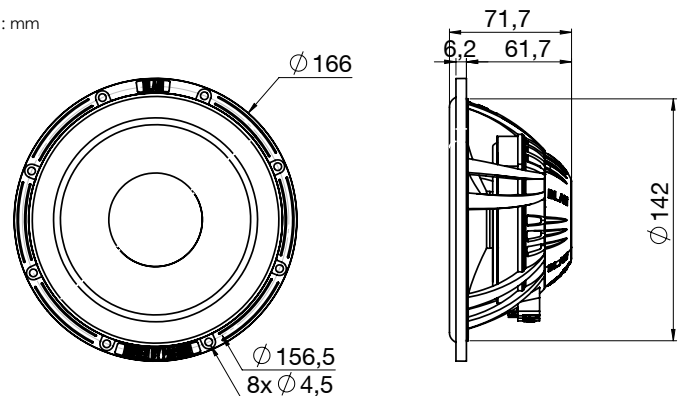
Machined cast aluminium basket - Epoxy resin and glass fiber cone - Butyl rubber surround - Long life "Conex" damper - 32 mm (1.26") voice coil with kapton former - 31 mm x 8 mm (1.2" x 0.3") neodymium motor.



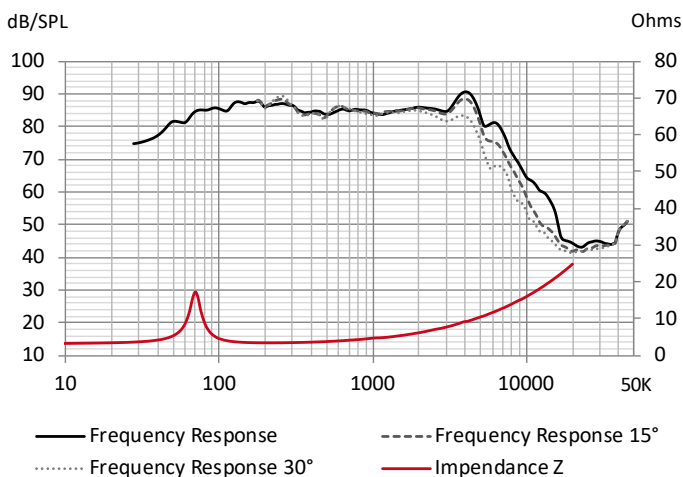
TECHNICAL SPECIFICATIONS

Component	Woofer	
Max power	140 W	
Nominal power	70 W	
Impedance	3 Ω	
Freq. Response	55 Hz - 5 KHz	
Sensitivity (2,83V/1m)	90.6 dB	
Magnet	Neodymium	
Magnet size Ø x h	45 x 29 mm	1.772 "x 1.142 "
Total driver displacement	0.3 l	0.011 cf
Weight of one component	0.9 kg	1.984 lb
Voice coil Ø	32 mm	1.260"
Voice coil height	15 mm	0.591"
Cone	Glass fiber	

Unit : mm



FREQUENCY RESPONSE / IMPEDANCE



THIELE-SMALL PARAMETERS

effective Ø (d)	130 mm
Sd	132.73 cm ²
Xmax	3 mm
Re	2.89 Ω
Fs	70.65 Hz
Le	146.76 µH @ 1 kHz
Le	267.60 µH @10 kHz
Vas	9.06 L
Mms	13.86 g
Cms	0.000366 m/N
BL	3.87 Tm
Qts	0.99
Qes	1.19
Qms	5.92
Sensitivity (dB/W/m)	86.2 dB

contact@blam-audio.fr

www.facebook.com/blamaudio

www.blam-audio.com