

# LIVE

## LFR 50

### High resolution speaker

- Full-range driver 2" (50mm)
- Max. power: 50 W / Nom. power: 25 W
- Frequency response 200 Hz - 40 KHz
- Impedance 4 Ohms

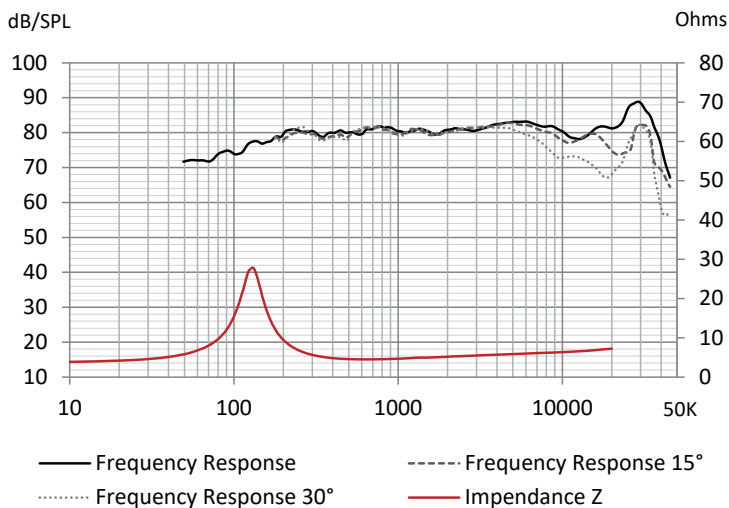
Die cast aluminium basket - Aluminium cone - Rubber surround - Long life "Nomex" damper - 20.4 mm (0.8") voice coil with aluminium former - 40 mm x 5 mm (1.6" x 0.2") neodymium magnet

Optimized for closed enclosure volume from 50 mL to 150 mL  
Minimal required cut off frequency : 250 Hz 12 dB/octave

#### TECHNICAL SPECIFICATIONS

Component	Full-range	
Max power	50 W	
Nominal power	25 W	
Impedance	4Ω	
Freq. Response	200 Hz - 40 KHz	
Sensitivity (2,83V/1m)	85 dB	
Magnet	Neodymium	
Magnet size Ø x h	40 x 5 mm	1.575" x 0.197 "
Total driver displacement	0.3 l	0.011 cf
Weight of one component	0.166 kg	0.366 lb
Voice coil Ø	20 mm	0.803"
Voice coil height	7.6 mm	0.299"
Cone	Aluminum	

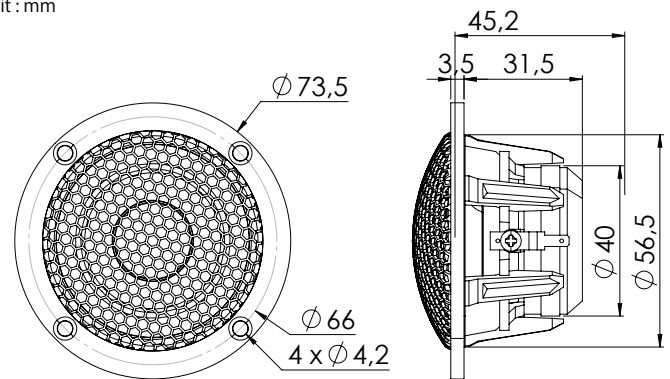
#### FREQUENCY RESPONSE / IMPEDANCE



Guy Bonneville  
**BLAM**  
DRIVEN BY PASSION



Unit : mm



#### THIELE-SMALL PARAMETERS

effective Ø (d)	45.5 mm
Sd	16.26 cm <sup>2</sup>
Xmax	2 mm
Re	4Ω
Fs	128.52 Hz
Le	27.47 μH @1 kHz
L2	303.12 μH @10 kHz
Vas	0.25 L
Mms	2.26 g
Cms	0.000679 m/N
BL	3.71 Tm
Qts	0.45
Qes	0.53
Qms	3.15
Sensitivity (dB/W/m)	82 dB

contact@blam-audio.fr  
[www.facebook.com/blamaudio](https://www.facebook.com/blamaudio)  
[www.blam-audio.com](http://www.blam-audio.com)