

Signature

Multix Barrel

BLAM

FRENCH SOUND

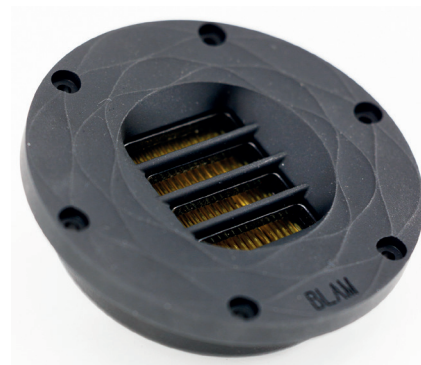
Driven by passion.

AMT 1

AIR MOTION TWEETER

The AMT1 (Air Motion Transformer) version uses a lightweight pleated diaphragm with a large radiating area. Its innovative design efficiently transforms air to produce clear, detailed highs beyond 35 kHz. The AMT1 surprises with its ability to reproduce the fine, subtle details of high-resolution recordings without coloration or ear fatigue.

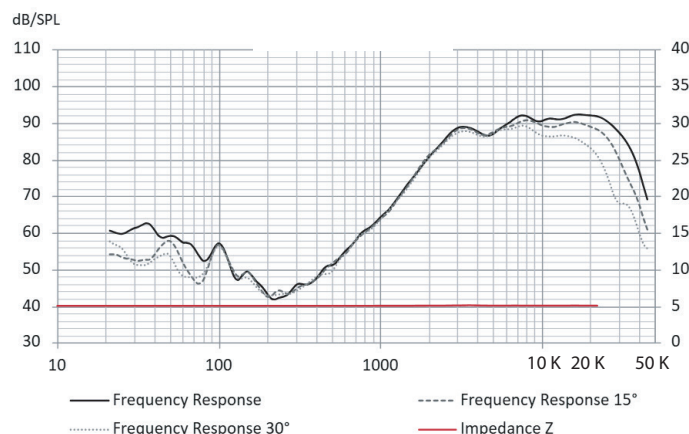
- Air-Motion transformer technology
- Folded Kapton ribbon diaphragm, ultra-clean, sound detailed and dynamic highs
- High precision machined aluminium front plate easy to install
- Powerful neodymium magnet for low distortion and high efficiency



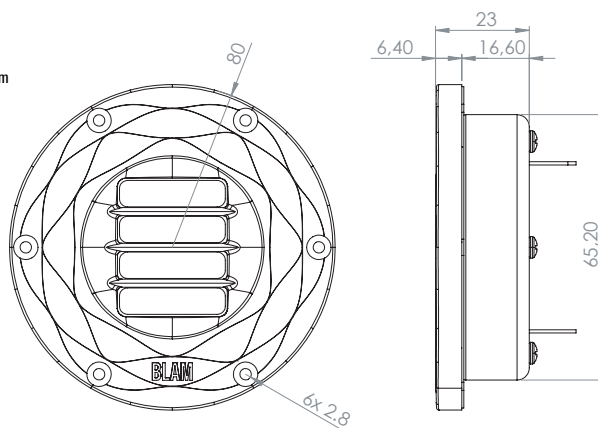
TECHNICAL SPECIFICATIONS

Component	Tweeter	
Max power	100 W	
Nominal power	10 W	
Impedance	6 Ω	
Freq. Response	2.5 kHz - 35 KHz	
Sensitivity (2,83V/1m)	90.1 dB	
Magnet	Neodymium	
Magnet size \varnothing x h	28 x 5 mm	1.102" x 0.197"
Weight of one component	0.31 kg	0.68 lb

FREQUENCY RESPONSE / IMPEDANCE



Unit : mm



THIELE-SMALL PARAMETERS

Effective \varnothing (d)	0 mm
Sd	8.96 cm ²
Xmax	0.0
Re	5 Ω
Fs	2550 Hz
Le	-
L2	-
Vas	-
Mms	-
Cms	-
BL	-
Qts	0.89
Qes	1.04
Qms	-
Sensitivity (dB/W/m)	88.1 dB

contact@blam-audio.fr
www.facebook.com/blamaudio

blam-audio.com