

# RELAX



Driven by passion.

## 100 RF S

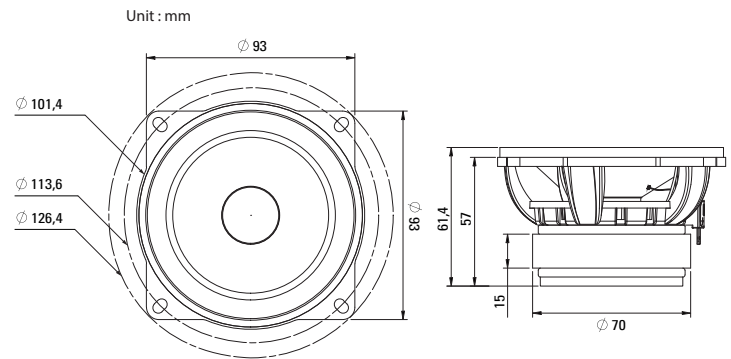
High sensitivity speaker

- 100 mm (4") high sensitivity speaker
- Max. power 100 W / Nominal Power 50 W
- Frequency response 80 Hz - 15 kHz
- Impedance 2 Ω

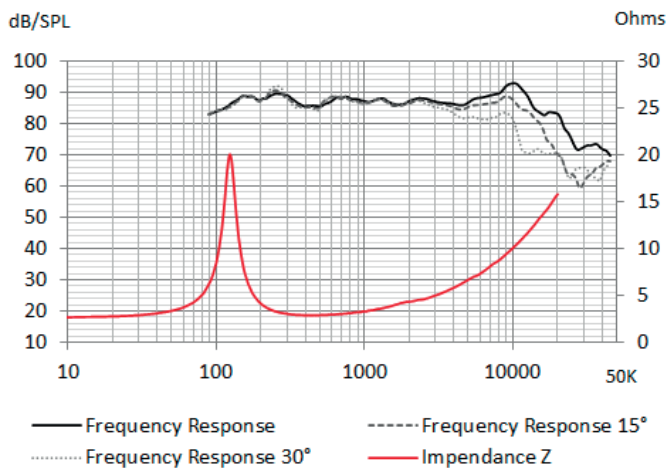


### TECHNICAL SPECIFICATIONS

Component	Speaker	
Max power	100 W	
Nominal power	50 W	
Impedance	2 Ω	
Freq. Response	80 Hz - 15 kHz	
Sensitivity (2,83V/1m)	90.3 dB	
Magnet	Ferrite	
Magnet size Ø x h	70 x 15 mm	2.756" x 0.591"
Total driver displacement	0.11 l	0.004 cf
Weight of one component	0.578 kg	1.274 lb
Voice coil Ø	25 mm	0.984"
Voice coil height	8.4 mm	0.331"
Cone	Cellulose pulp	



### FREQUENCY RESPONSE / IMPEDANCE



### THIELE-SMALL PARAMETERS

effective Ø (d)	84 mm
Sd	55.42 cm <sup>2</sup>
Xmax	2 mm
Re	2.6 Ω
Fs	109.87 Hz
Le	97.33 µH @ 1 kHz
L2	157.34 µH @ 10 kHz
Vas	1.76 L
Mms	5.16 g
Cms	0.000407 m/N
BL	3.49 Tm
Qts	0.66
Qes	0.77
Qms	4.72