

Signature **Multix**

Guy Bonneville

BLAM
DRIVEN BY PASSION

WS 6

HIGH POWER WOOFER

- Woofer 6-1/2 " (165 mm)
- Max power 250 W / Nom. power 125 W
- Frequency response 80 Hz - 6 KHz
- Impedance 2 Ohms

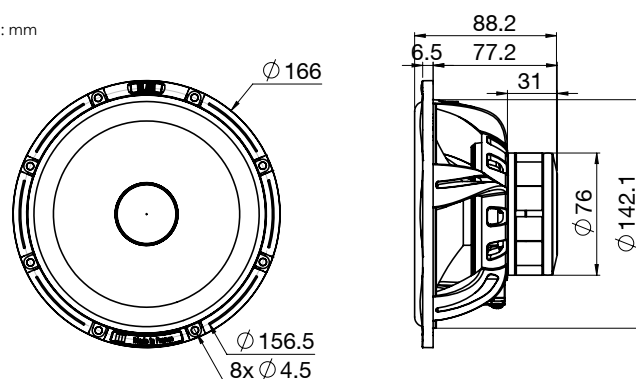
Die cast aluminium basket - Ultra rigid carbon fiber cone - NBR surround - Dual spider - 38 mm Voice Coil, fiber glass former - Oversized Neodymium Multi-Stick Magnetic motor - Machined aluminium phase plug - Gold-plated terminal - Paired products to +/- 1dB.

TECHNICAL SPECIFICATIONS

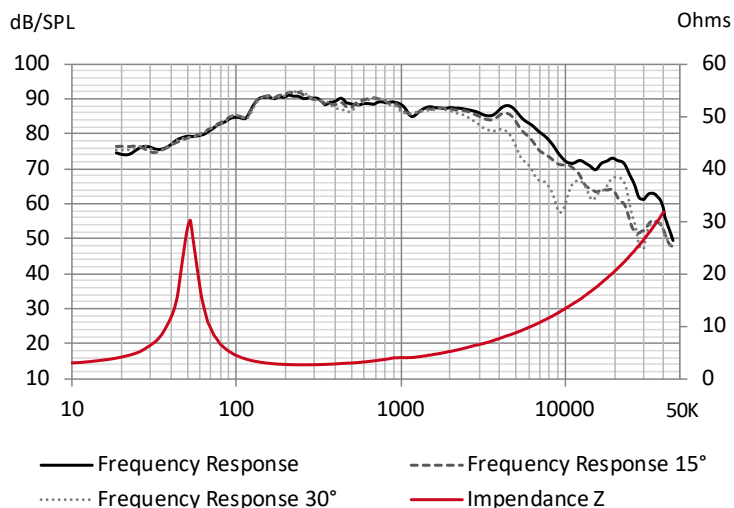
| Component | Woofer | |
|---------------------------|----------------|---------------------|
| Max power | 250 W | |
| Nominal power | 125 W | |
| Impedance | 2 Ω | |
| Freq. Response | 80 Hz - 6 KHz | |
| Sensitivity (2,83V/1m) | 94 dB | |
| Magnet | Neodymium | |
| Magnet size Ø x h | 10x 15 x 17 mm | 10x 0.591" x 0.669" |
| Total driver displacement | 0.3 l | 0.011 cf |
| Weight of one component | 1.81 kg | 3.990 lb |
| Voice coil Ø | 38 mm | 1.496" |
| Voice coil height | 17 mm | 0.669" |
| Cone | Carbon fiber | |



Unit : mm



FREQUENCY RESPONSE / IMPEDANCE



THIELE-SMALL PARAMETERS

| | |
|----------------------|------------------------|
| Effective Ø (d) | 128 mm |
| Sd | 128.68 cm ² |
| Xmax | 6 mm |
| Re | 2.1 Ω |
| Fs | 51.84 Hz |
| Le | 100.07 µH @ 1 kHz |
| Le | 263.46 µH @10 kHz |
| Vas | 12.9 L |
| Mms | 16.99 g |
| Cms | 0,000555 m/N |
| BL | 5.63 Tm |
| Qts | 0.37 |
| Qes | 0.40 |
| Qms | 4.75 |
| Sensitivity (dB/W/m) | 88.1 dB |

contact@blam-audio.fr
www.facebook.com/blamaudio

blam-audio.com