

RELAX

Guy Bonneville

BLAM

DRIVEN BY PASSION

130 RS

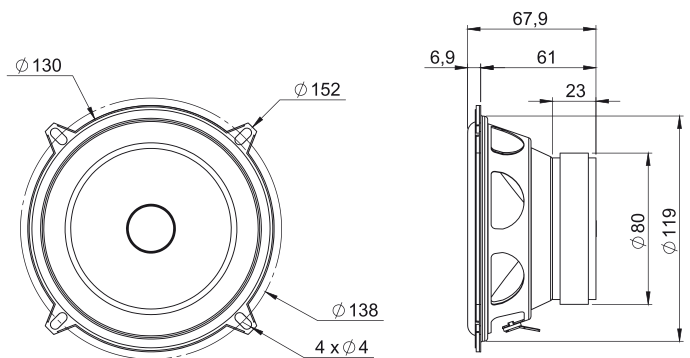
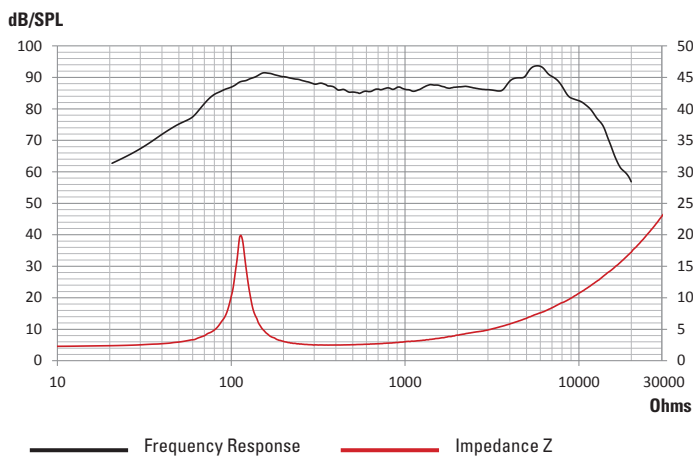
speaker

- 130 mm (5.25") component
- Max power 120 W - Nom. power: 60 W
- Frequency response: 80 Hz – 10 kHz
- Sensitivity (2.83V/1m) 92.3 dB

TECHNICAL SPECIFICATIONS

Component	Speaker	
Max power	120 W	
Nominal power	60 W	
Impedance	3 Ω	
Freq. Response	80 Hz - 10 KHz	
Sensitivity (2,83V/1m)	92,3 dB	
Magnet	Ferrite	
Magnet size Ø x h	80 x 15 mm	3,150" x 0,591"
Total driver displacement	0,107 l	0,004 cf
Weight of one component	0,536 kg	1,182 lb
Voice coil Ø	25 mm	0,984"
Voice coil height	11 mm	0,433"
Cone	Cellulose pulp	

FREQUENCY RESPONSE / IMPEDANCE



THIELE-SMALL PARAMETERS

effective Ø (d)	109 mm
Sd	93,31 cm ²
Xmax	3,50 mm
Re	2,5 Ω
Fs	98,81 Hz
Le	90,76 µH @ 1 kHz
L2	158,05 µH @10 kHz
Vas	3,76 L
Mms	8,44 g
Cms	0,000307 m/N
BL	3,52 Tm
Qts	0,89
Qes	1,06
Qms	5,57
Sensitivity (dB/W/m)	87,2 dB