

# Signature

Guy Bonneville

# BLAM

DRIVEN BY PASSION

## WS 8.100

### High power mid woofer

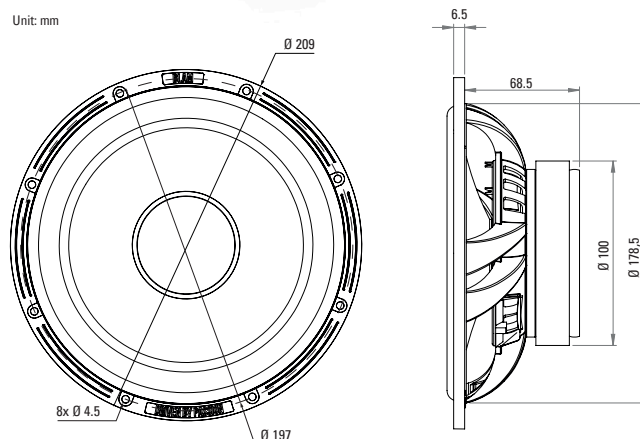
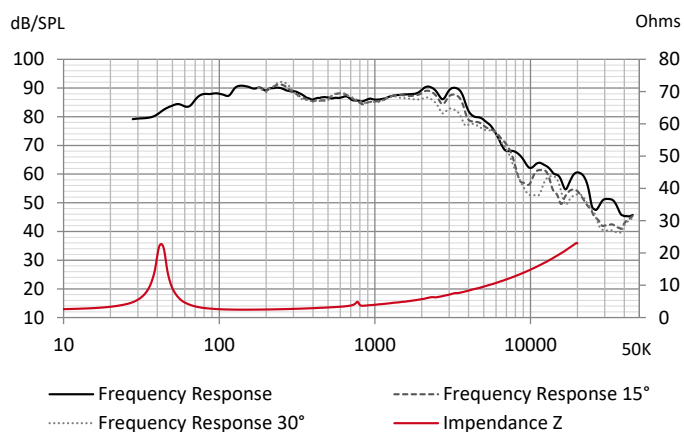
- Woofer 8" (200 mm)
- Max power 300 W / Nom. power 150 W
- Frequency response 50 Hz- 3.8 KHz
- Sensitivity 93.4 dB
- Impedance 2 Ohms

Die cast aluminium basket- Ultra rigid carbon fiber cone- NBR surround- Long life « Conex » damper- 38 mm voice coil on fiber glass former- 100 mm x 20 mm oversized magnetic motor - Gold-plated terminal.

#### TECHNICAL SPECIFICATIONS

<b>Component</b>	Woofer	
<b>Max power</b>	300 W	
<b>Nominal power</b>	150 W	
<b>Impedance</b>	2 Ω	
<b>Freq. Response</b>	50 Hz - 3,8 KHz	
<b>Sensitivity (2,83V/1m)</b>	93,4 dB	
<b>Magnet</b>	Ferrite	
<b>Magnet size Ø x h</b>	100 x 20 mm	3,94" x 0,79"
<b>Total driver displacement</b>	0,3 l	0,011 cf
<b>Weight of one component</b>	1,76 kg	3,880 lb
<b>Voice coil Ø</b>	38 mm	1,496"
<b>Voice coil height</b>	15 mm	0,669"
<b>Cone</b>	Carbon fiber	

#### FREQUENCY RESPONSE / IMPEDANCE



#### THIELE-SMALL PARAMETERS

<b>effective Ø (d)</b>	16,5 mm
<b>Sd</b>	213,82 cm <sup>2</sup>
<b>Xmax</b>	6 mm
<b>Re</b>	2,27 Ω
<b>Fs</b>	42,26 Hz
<b>Le</b>	149,49 µH @ 1 kHz
<b>L2</b>	366,81 µH @10 kHz
<b>Vas</b>	37,72 L
<b>Mms</b>	24,15 g
<b>Cms</b>	0,587338 m/N
<b>BL</b>	4,50 Tm
<b>Qts</b>	0,65
<b>Qes</b>	0,72
<b>Qms</b>	6,85
<b>Sensitivity (dB/W/m)</b>	87,9 dB