

# Signature

Guy Bonneville

# BLAM

DRIVEN BY PASSION

## WS 6.300

### High power woofer

- Woofer 6-1/2" (165 mm)
- Max power 250 W / Nom. power 125 W
- Frequency response 50 Hz - 5 KHz
- Impedance 2 Ohms

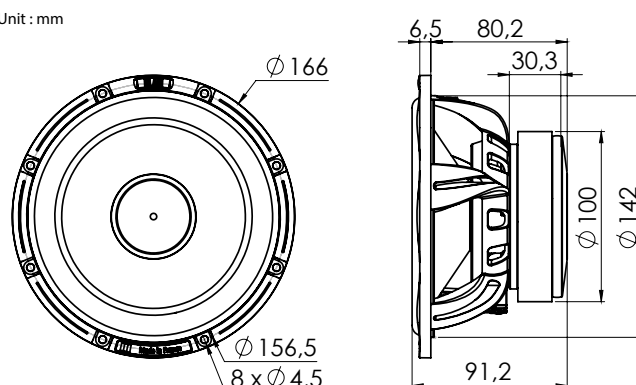
Die cast aluminium basket - Ultra rigid carbon fiber cone - NBR surround - Long life « conex » spider - 38 mm Voice Coil, fiber glass former - 100 mm x 20 mm Oversized Magnetic motor - Gold-plated terminal.



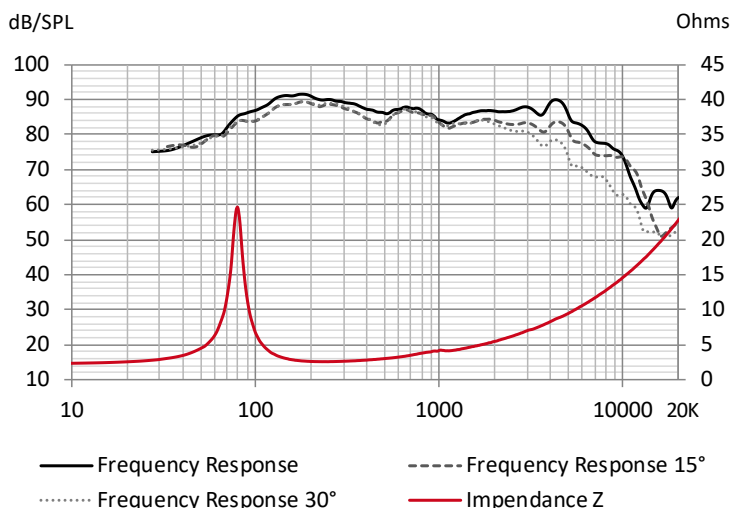
### TECHNICAL SPECIFICATIONS

<b>Component</b>	Woofer	
<b>Max power</b>	250 W	
<b>Nominal power</b>	125 W	
<b>Impedance</b>	2 Ω	
<b>Freq. Response</b>	50 Hz - 5 KHz	
<b>Sensitivity (2,83V/1m)</b>	93,2 dB	
<b>Magnet</b>	Ferrite	
<b>Magnet size Ø x h</b>	100 x 20 mm	3,937 "x 0,787 "
<b>Total driver displacement</b>	0,3 l	0,011 cf
<b>Weight of one component</b>	1,81 kg	2,756 lb
<b>Voice coil Ø</b>	38 mm	1,496"
<b>Voice coil height</b>	17 mm	0,669"
<b>Cone</b>	Carbon fiber	

Unit : mm



### FREQUENCY RESPONSE / IMPEDANCE



### THIELE-SMALL PARAMETERS

<b>effective Ø (d)</b>	128 mm
<b>Sd</b>	128,68 cm <sup>2</sup>
<b>Xmax</b>	6 mm
<b>Re</b>	2,1 Ω
<b>Fs</b>	79,43 Hz
<b>Le</b>	117,05 µH @ 1 kHz
<b>Le</b>	285,19 µH @10 kHz
<b>Vas</b>	6,6 L
<b>Mms</b>	14,16 g
<b>Cms</b>	0,000284 m/N
<b>BL</b>	4,59 Tm
<b>Qts</b>	0,74
<b>Qes</b>	0,81
<b>Q0ms</b>	7,86
<b>Sensitivity (dB/W/m)</b>	87,4 dB

contact@blam-audio.fr  
www.facebook.com/blamaudio  
www.blam-audio.com