

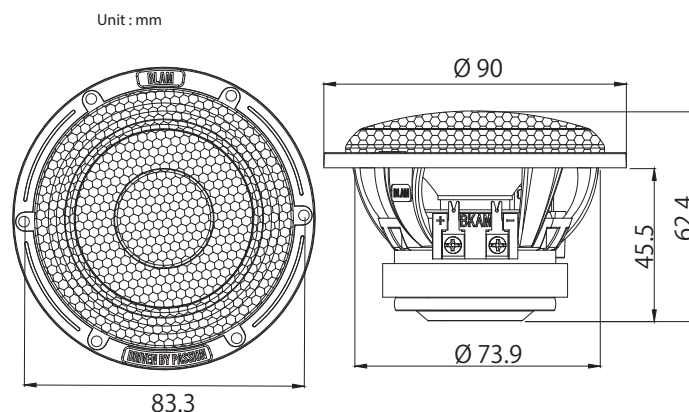
R80 DB

Double voice coil mid-range

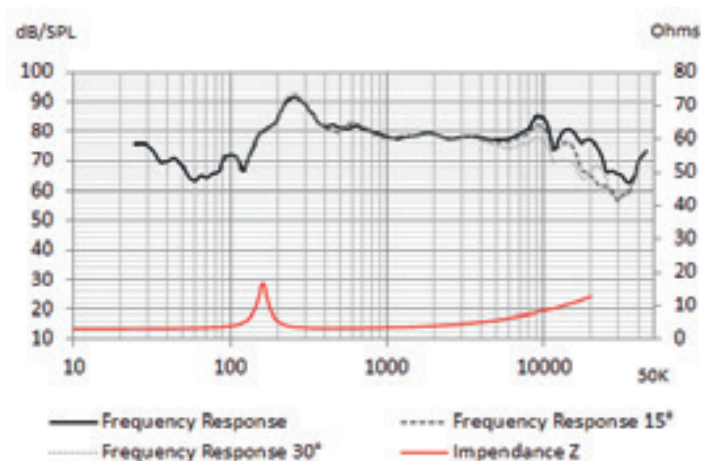
- 80 mm (3") mid-range
- Max. power 100 W / Nominal Power 25 W
- Frequency response 150 Hz - 23 kHz
- Impedance 2 x 3.6 Ω

TECHNICAL SPECIFICATIONS

Component	Mid-range	
Max power	100 W	
Nominal power	25 W	
Impedance	2x 3.6 Ω	
Freq. Response	150 Hz - 20 kHz	
Sensitivity (2,83V/1m)	86 dB	
Magnet	Ferrite	
Magnet size Ø x h	55 x 10 mm	2.165" x 0.394"
Total driver displacement	0.057 l	0.002 cf
Weight of one component	0.29 kg	0.628 lb
Voice coil Ø	20 mm	0.787"
Voice coil height	5.9 mm	0.232"
Cone	Cellulose pulp	



FREQUENCY RESPONSE / IMPEDANCE



THIELE-SMALL PARAMETERS

effective Ø (d)	60 mm
Sd	28.27 cm ²
Xmax	1 mm
Re	7.33 Ω
Fs	195.78 Hz
Le	327.02 μH @ 1 kHz
L2	427.24 μH @ 10 kHz
Vas	0.29 L
Mms	2.53 g
Cms	0.261690 m/N
BL	3.47 Tm
Qts	1.53
Qes	1.90
Qms	7.72