

LIVE

LW 165 C

Woofer

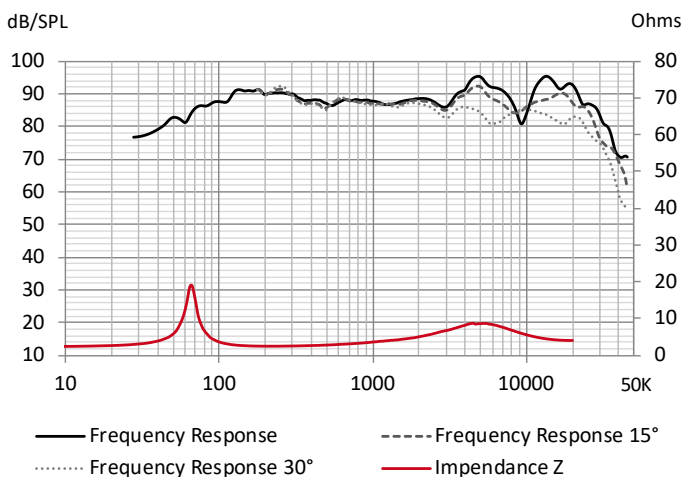
- Woofer 6-1/2" (165 mm)
- Max power 140 W / Nom. power 70 W
- Frequency response 55 Hz - 25 KHz
- Impedance 2 Ohms

Machined cast aluminium basket - Epoxy resin and glass fiber cone - Butyl rubber surround - Long life "Conex" damper - 28 mm (1.1") voice coil with kapton former - 80 mm x 15 mm (3.1" x 0.6") motor assembly - Thick magnetic circuit (5 mm).

TECHNICAL SPECIFICATIONS

Component	Woofer	
Max power	140 W	
Nominal power	70 W	
Impedance	2 Ω	
Freq. Response	55 Hz - 25 KHz	
Sensitivity (2,83V/1m)	93.2 dB	
Magnet	Ferrite	
Magnet size Ø x h	80 x 15 mm	3.150 "x 0.591 "
Total driver displacement	0.3 l	0.011 cf
Weight of one component	0.95 kg	2.103 lb
Voice coil Ø	28 mm	1.102"
Voice coil height	11 mm	0.433"
Cone	Glass fiber	

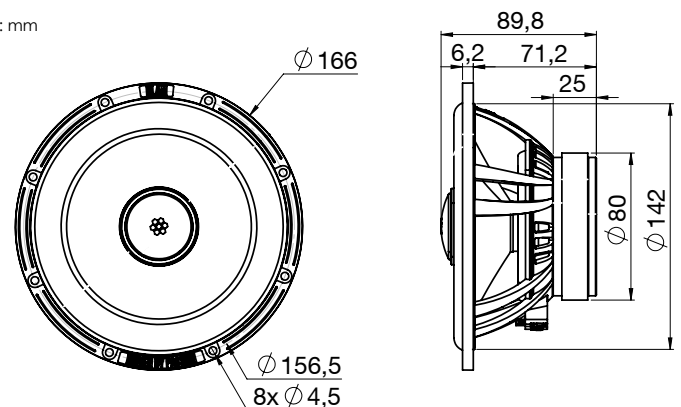
FREQUENCY RESPONSE / IMPEDANCE



Guy Bonneville
BLAM
DRIVEN BY PASSION



Unit : mm



THIELE-SMALL PARAMETERS

effective Ø (d)	10 mm
Sd	132.73 cm ²
Xmax	3 mm
Re	2 Ω
Fs	65.85 Hz
Le	10.07 µH @ 1 kHz
Le	25974.02 µH @10 kHz
Vas	8.89 L
Mms	16.25 g
Cms	0.000359 m/N
BL	4.21 Tm
Qts	0.68
Qes	0.76
Qms	6.45
Sensitivity (dB/W/m)	87.2 dB

contact@blam-audio.fr
www.facebook.com/blamaudio
www.blam-audio.com