

# Signature

# BLAM

FRENCH SOUND

Driven by passion.

## FRS 2N50

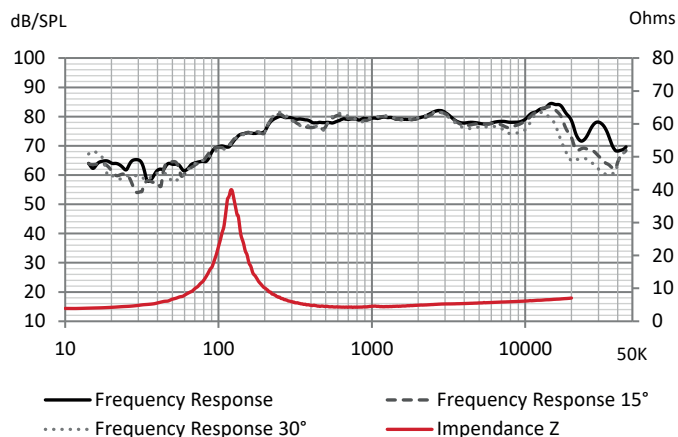
### High fidelity full-range driver

- 50 mm (2") High fidelity full-range
- Max. power: 50 W / Nom. power: 25 W
- Frequency response 250 Hz - 22 KHz
- Impedance 4 Ω

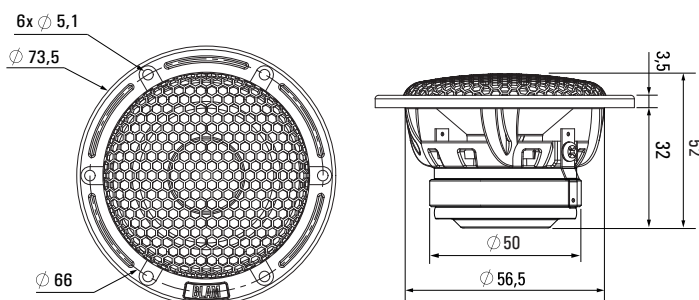
#### TECHNICAL SPECIFICATIONS

<b>Component</b>	Full range	
<b>Max power</b>	50 W	
<b>Nominal power</b>	25 W	
<b>Impedance</b>	4 Ω	
<b>Freq. Response</b>	250 Hz - 22 KHz	
<b>Sensitivity (2,83V/1m)</b>	87 dB	
<b>Magnet</b>	Neodymium	
<b>Magnet size Ø x h</b>	50 x 9 mm	1.969" x 0.354 "
<b>Total driver displacement</b>	0.3 l	0.011 cf
<b>Weight of one component</b>	0.338 kg	0.745 lb
<b>Voice coil Ø</b>	20 mm	0.803"
<b>Voice coil height</b>	7.7 mm	0.303"
<b>Cone</b>	Black kevlar fiber	

#### FREQUENCY RESPONSE / IMPEDANCE



Unit in mm



#### THIELE-SMALL PARAMETERS

<b>effective Ø (d)</b>	46 mm
<b>Sd</b>	16.62 cm <sup>2</sup>
<b>Xmax</b>	2 mm
<b>Re</b>	3.8 Ω
<b>Fs</b>	120 Hz
<b>Le</b>	26.76 μH @ 1 kHz
<b>L2</b>	124.47 μH @ 10 kHz
<b>Vas</b>	0.37 L
<b>Mms</b>	1.79 g
<b>Cms</b>	0.961802 m/N
<b>BL</b>	3.62 Tm
<b>Qts</b>	0.37
<b>Qes</b>	0.40
<b>Qms</b>	3.73
<b>Sensitivity (dB/W/m)</b>	84 dB

contact@blam-audio.fr  
www.facebook.com/blamaudio  
www.blam-audio.com