

# RELAX



Driven by passion.

## BM 100 NS

BMW woofer

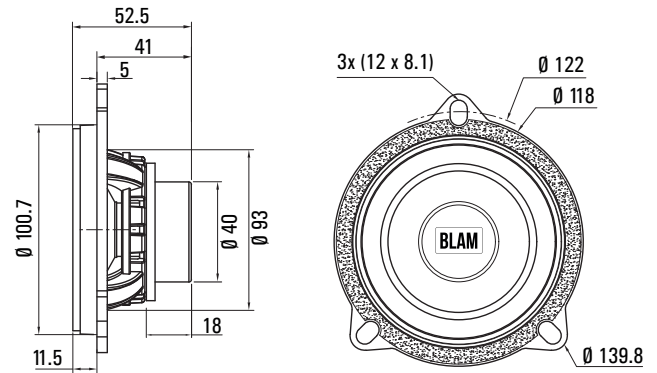
- 100 mm (4") woofer
- Max. power 100 W / Nominal Power 50 W
- Frequency response 80 Hz - 9 kHz
- Impedance 2  $\Omega$



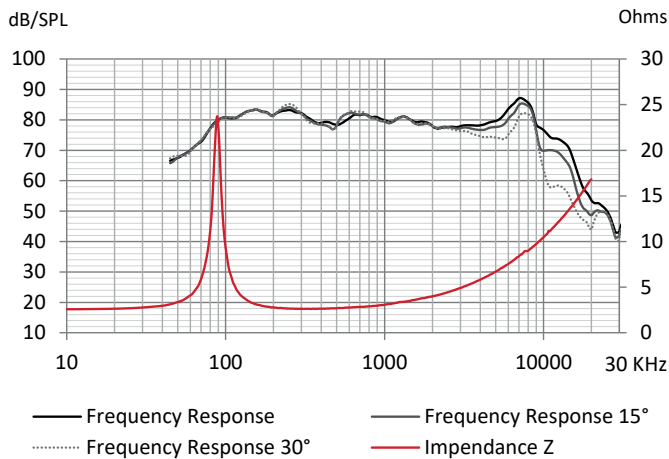
### TECHNICAL SPECIFICATIONS

Component	Woofer	
Max power	100 W	
Nominal power	50 W	
Impedance	2 $\Omega$	
Freq. Response	80 Hz - 9 kHz	
Sensitivity (2,83V/1m)	90.3 dB	
Magnet	Neodymium	
Motor size $\varnothing$ x h	24.5 x 6 mm	0.965" x 0.236"
Total driver displacement	0.06 l	0.002 cf
Weight of one component	0.243 kg	0.36 lb
Voice coil $\varnothing$	25 mm	0.984"
Voice coil height	9.6 mm	0.378"
Cone	Fiberglass	

Unit : mm



### FREQUENCY RESPONSE / IMPEDANCE



### THIELE-SMALL PARAMETERS

effective $\varnothing$ (d)	84 mm
Sd	55.42cm <sup>2</sup>
Xmax	3 mm
Re	2.56 $\Omega$
Fs	88.90 Hz
Le	105.68 $\mu$ H @ 1 kHz
L2	148.99 $\mu$ H @ 10 kHz
Vas	1.78 L
Mms	7.77 g
Cms	0.412547 m/N
BL	3.12 Tm
Qts	1.01
Qes	1.14
Qms	8.59
Sensitivity	82.4 dB