

RELAX

BM 100 NC

BMW Coaxial

- 100 mm (4") speaker
- Max. power 100 W / Nominal Power 50 W
- Frequency response 80 Hz - 30 kHz
- Impedance 2 Ω

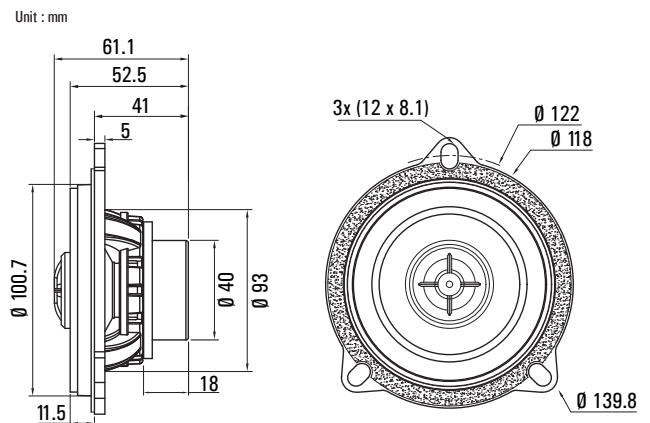


Driven by passion.

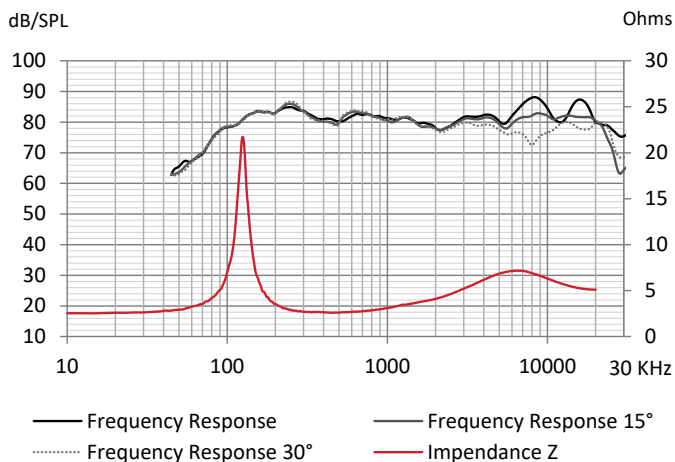


TECHNICAL SPECIFICATIONS

Component	Speaker	
Max power	100 W	
Nominal power	50 W	
Impedance	2 Ω	
Freq. Response	80 Hz - 30 kHz	
Sensitivity (2,83V/1m)	90.3 dB	
Magnet	Neodymium	
Motor size \varnothing x h	24.5 x 6 mm	0.965" x 0.236"
Total driver displacement	0.06 l	0.002 cf
Weight of one component	0.293 kg	0.646 lb
Voice coil \varnothing	25 mm	0.984"
Voice coil height	9.6 mm	0.378"
Cone	Fiberglass	



FREQUENCY RESPONSE / IMPEDANCE



THIELE-SMALL PARAMETERS

effective \varnothing (d)	84 mm
Sd	55.42cm ²
Xmax	3 mm
Re	2.54 Ω
Fs	124.77 Hz
Le	2.40 μ H @ 1 kHz
L2	438.86 μ H @ 10 kHz
Vas	1.16 L
Mms	6.08 g
Cms	0.267831 m/N
BL	3.48 Tm
Qts	0.88
Qes	1.00
Qms	7.53
Sensitivity	85.5 dB