

RELAX

BM 100FS

BMW woofer

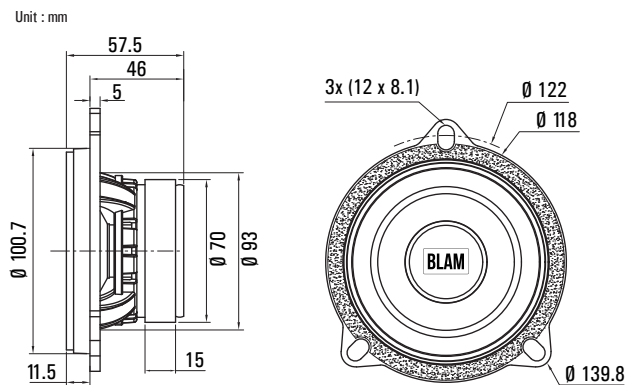
- 100 mm (4") woofer
- Max. power 100 W / Nominal Power 50 W
- Frequency response 80 Hz - 9 kHz
- Impedance 2 Ω

TECHNICAL SPECIFICATIONS

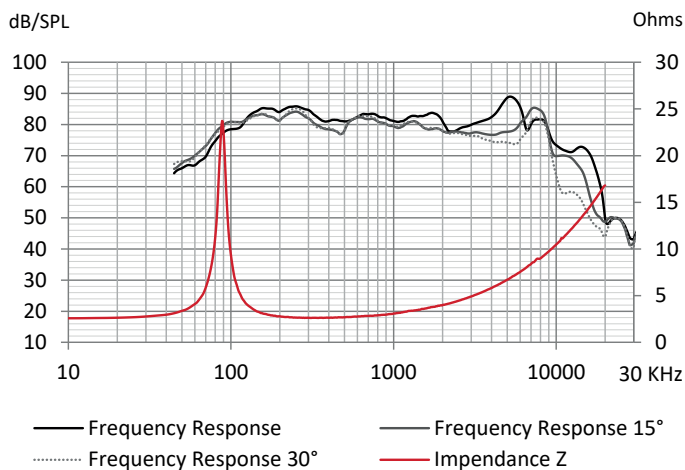
Component	Woofer	
Max power	100 W	
Nominal power	50 W	
Impedance	2 Ω	
Freq. Response	80 Hz - 9 kHz	
Sensitivity (2,83V/1m)	90.3 dB	
Magnet	Ferrite	
Motor size \varnothing x h	70 x 15 mm	2.756" x 0.591"
Total driver displacement	0.06 l	0.002 cf
Weight of one component	0.545 kg	1.202 lb
Voice coil \varnothing	25 mm	0.984"
Voice coil height	9.6 mm	0.378"
Cone	Cellulose pulp	



Driven by passion.



FREQUENCY RESPONSE / IMPEDANCE



THIELE-SMALL PARAMETERS

effective \varnothing (d)	84 mm
Sd	55.42cm ²
Xmax	3 mm
Re	2.67 Ω
Fs	112.95 Hz
Le	112.77 μ H @ 1 kHz
L2	181.57 μ H @ 10 kHz
Vas	1.31 L
Mms	6.55 g
Cms	0.302965 m/N
BL	3.61 Tm
Qts	0.79
Qes	0.95
Qms	4.59
Sensitivity	85.1 dB