

RELAX

BM 100FC

BMW Coaxial

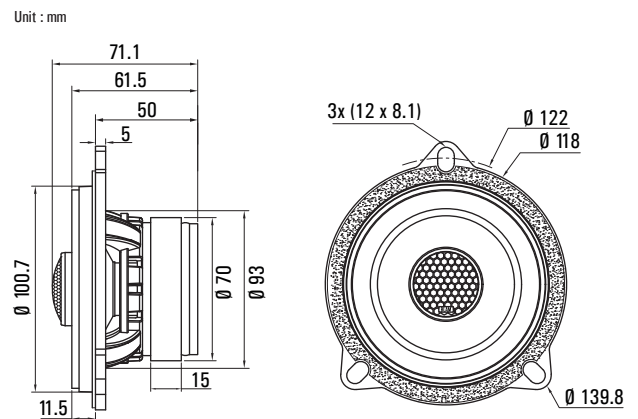
- 100 mm (4") speaker
- Max. power 100 W / Nominal Power 50 W
- Frequency response 80 Hz - 30 kHz
- Impedance 2 Ω

TECHNICAL SPECIFICATIONS

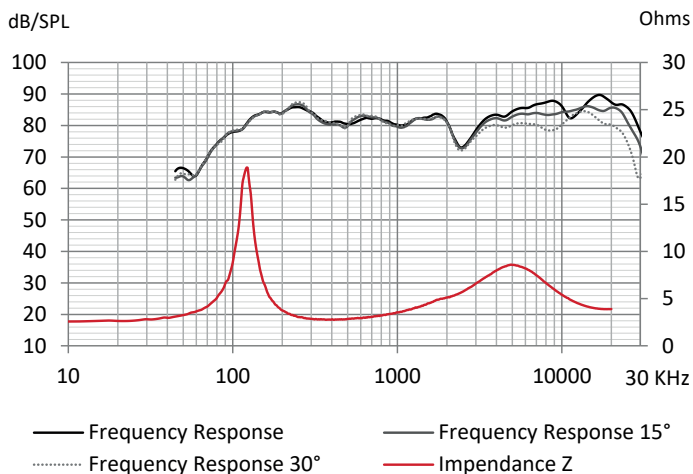
Component	Speaker	
Max power	100 W	
Nominal power	50 W	
Impedance	2 Ω	
Freq. Response	80 Hz - 30 kHz	
Sensitivity (2,83V/1m)	90.3 dB	
Magnet	Ferrite	
Motor size \varnothing x h	70 x 15 mm	2.756" x 0.591"
Total driver displacement	0.06 l	0.002 cf
Weight of one component	0.583 kg	1.285 lb
Voice coil \varnothing	25 mm	0.984"
Voice coil height	9.6 mm	0.378"
Cone	Cellulose pulp	



Driven by passion.



FREQUENCY RESPONSE / IMPEDANCE



THIELE-SMALL PARAMETERS

effective \varnothing (d)	84 mm
Sd	55.42cm ²
Xmax	3 mm
Re	2.58 Ω
Fs	120.57 Hz
Le	2.82 μ H @ 1 kHz
L2	411.57 μ H @ 10 kHz
Vas	1.36 L
Mms	5.51 g
Cms	0.316367 m/N
BL	3.56 Tm
Qts	0.73
Qes	0.85
Qms	5.43
Sensitivity	86.4 dB