

Prima

AP 2

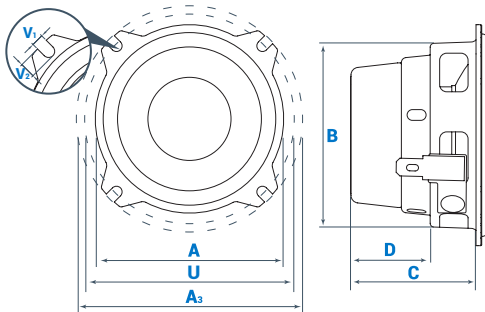
Wide-range component
50 W

| TECHNICAL SPECIFICATIONS | | |
|-----------------------------------|--------------|-----------------------|
| Component | | Wide range |
| Midrange size | mm (in.) | 50 (2) |
| Power Handling | W peak | 50 |
| | W continuous | 25 |
| Impedance | Ω | 4 |
| Frequency Response | Hz | 150 ÷ 20k Hz |
| Magnet size D x d x h | mm (in.) | 24,9 x 5 (0.98 x 0.2) |
| Weight of one component | kg (lb.) | 0,149 (0.33) |
| Wide range Voice Coil \emptyset | mm (in.) | 25 (1) |

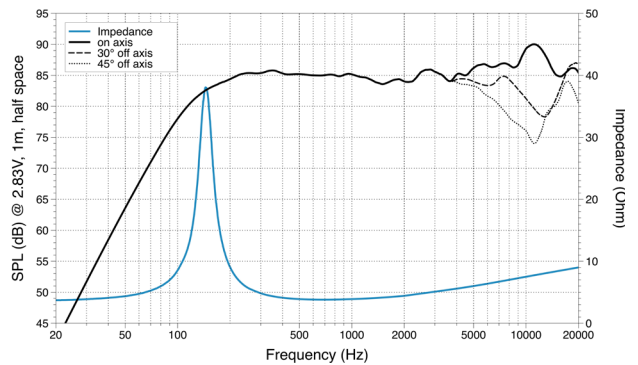
| ELECTRO-ACOUSTIC PARAMETERS | | |
|-----------------------------|----------|------|
| D | mm | 49,1 |
| Xmax | mm | 2,5 |
| Re | Ω | 3,5 |
| Fs | Hz | 145 |
| Le | mH | 0,07 |
| Vas | l | 0,36 |
| Mms | g | 1,68 |
| Cms | mm/N | 0,70 |
| BL | T·m | 2,8 |
| Qts | | 0,64 |
| Qes | | 0,70 |
| Qms | | 7,7 |
| Spl | dB | 83,5 |



- 1 Ultra-wide frequency response ranging from 150 Hz to 20 kHz allowing the entire virtual stage to be concentrated on the top side of the dashboard.
2. 25 mm (1 in.) CCAW double layer coil for excellent power handling and low frequency extension.
3. Powerful magnetic assembly made of a symmetrical double Neodymium magnet for optimal excursion control.
4. Aluminium cone and copper shorting ring for a high frequency response up to 20 kHz.
5. Ultra-compact design, thanks to the specifically designed basket and neodymium motor, to facilitate dashboard and A-pillar OEM installations



| A | A ₃ | B | C | D | U | V ₁ | V ₂ | |
|------|----------------|------|------|------|------|----------------|----------------|-----|
| 58,4 | 69,5 | 51 | 37 | 33,5 | 64 | 3,5 | 4,5 | mm |
| 2.3 | 2.74 | 2.01 | 1.46 | 1.32 | 2.52 | 0.14 | 0.18 | in. |



All specifications subject to change without notice_19.B



Elettromedia
62018 Potenza Picena (MC) Italy
T +39 0733 870 870 - F +39 0733 870 880
elettromedia.com

