

LIVE

Guy Bonneville

BLAM

DRIVEN BY PASSION

165.45

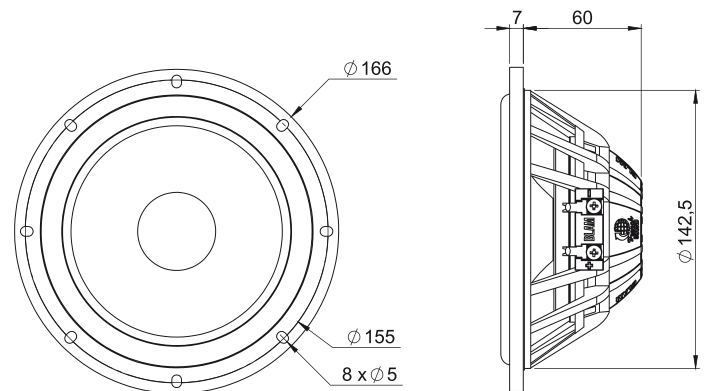
Woofer

- Shallow 6-1/2 " (165 mm) woofer
- Max power 150 W / Nom. power 75 W
- Frequency response 60 Hz - 25 KHz
- Sensibility 91 dB - Impedance 3 Ohms

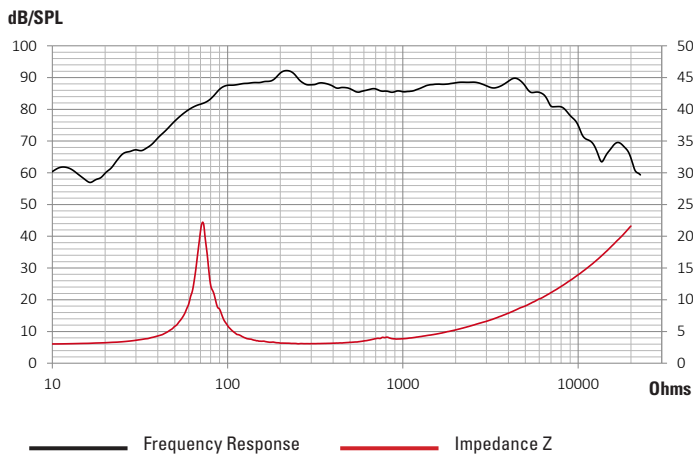
Die cast and machined aluminium basket - Ultra rigid carbon fiber cone with circular grooves to strengthen the cone - IIR surround - Long life « conex » spider - 34 mm Voice Coil, fiber glass former - Hi grade neodymium magnet, precision machined pole piece and T yoke

TECHNICAL SPECIFICATIONS

Component	Woofer	
Max power	150 W	
Nominal power	75 W	
Impedance	3 Ω	
Freq. Response	60 Hz -25 KHz	
Sensitivity	91,2 dB/SPL	
Magnet	Neodymium	
Magnet size Ø x h	30 x 16 mm	1,181" x 0,630 "
Total driver displacement	0,139 l	0,005 cf
Weight of one component	0,563 kg	1,241 lb
Voice coil Ø	34 mm	1,34"
Voice coil height	12 mm	0,472"
Cone	Carbone fiber	



FREQUENCY RESPONSE / IMPEDANCE



THIELE-SMALL PARAMETERS

effective Ø (d)	128 mm
Sd	128,68 cm ²
Xmax	3,50 mm
Re	3 Ω
Fs	72,18 Hz
Le	126,46 kHz
L2	204,46 µH @10 kHz
Vas	8,25 L
Mms	13,71 g
Cms	0,000355 m/N
BL	4,36 Tm
Qts	0,84
Qes	0,98
Qms	6,10
Spl	86,9 dB