

RELAX



Driven by passion.

130 RFC

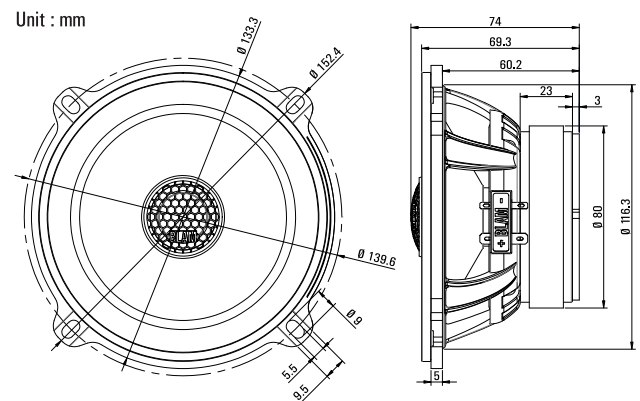
Coaxial speaker

- 130mm (5.25") component
- Max. power 120 W / Nominal Power 60 W
- Frequency response 80 Hz - 28 kHz
- Impedance 2 Ω

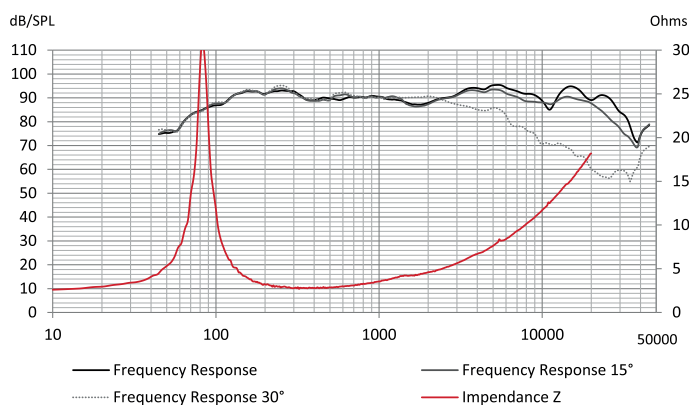


TECHNICAL SPECIFICATIONS

Component	Speaker	
Max power	120 W	
Nominal power	60 W	
Impedance	2 Ω	
Freq. Response	80 Hz - 10 kHz	
Sensitivity (2,83V/1m)	94 dB	
Magnet	Ferrite	
Motor size \varnothing x h	80 x 15 mm	3.1 "x 0.6 "
Total driver displacement	0.11 l	0.004 cf
Weight of one component	0.745 kg	1.642 lb
Voice coil \varnothing	25 mm	0.984"
Voice coil height	11.0 mm	0.433"
Cone	Cellulose pulp	



FREQUENCY RESPONSE / IMPEDANCE



THIELE-SMALL PARAMETERS

effective \varnothing (d)	109 mm
Sd	93.31 cm ²
Xmax	3.5 mm
Re	2.58 Ω
Fs	83.25 Hz
Le	111.38 μ H @ 1 kHz
L2	185.85 μ H @ 10 kHz
Vas	5.77 L
Mms	7.75 g
Cms	0.471823 m/N
BL	4.14 Tm
Qts	0.56
Qes	0.61
Qms	6.75
Sensitivity	89 dB