

RELAX

Guy Bonneville

BLAM

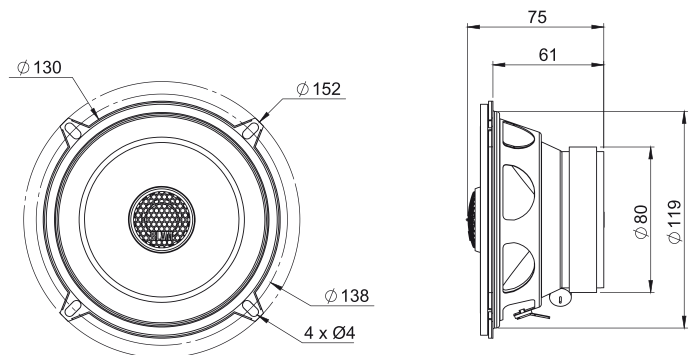
DRIVEN BY PASSION

130 RC speaker

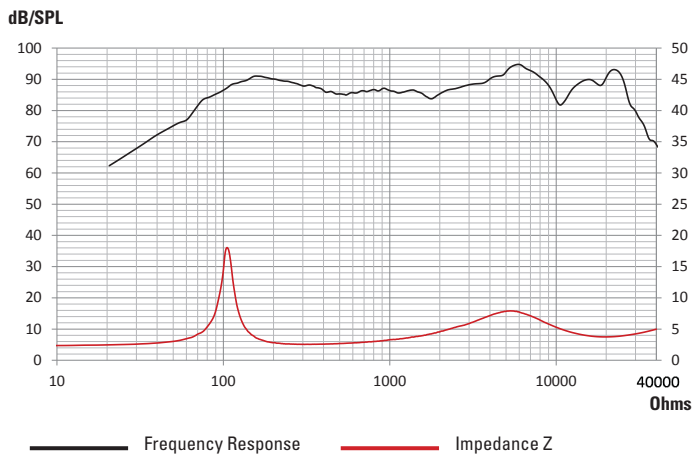
- 130 mm (5.25") coaxial
- Max power 120 W - Nom. power: 60 W
- Frequency response: 80 Hz – 25 kHz
- Sensitivity (2.83V/1m) 92.3 dB

TECHNICAL SPECIFICATIONS

Component	Speaker	
Max power	120 W	
Nominal power	60 W	
Impedance	3 Ω	
Freq. Response	80 Hz - 25 KHz	
Sensitivity (2,83V/1m)	92,3 dB	
Magnet	Ferrite	
Magnet size Ø x h	80 x 15 mm	3,150" x 0,591"
Total driver displacement	0,158 l	0,006 cf
Weight of one component	0,785 kg	1,731 lb
Voice coil Ø	25 mm	0,984"
Voice coil height	11 mm	0,433"
Cone	Cellulose pulp	



FREQUENCY RESPONSE / IMPEDANCE



THIELE-SMALL PARAMETERS

effective Ø (d)	109 mm
Sd	93,31 cm ²
Xmax	3,50 mm
Re	2,5 Ω
Fs	98,81 Hz
Le	90,76 µH @ 1 kHz
L2	158,05 µH @10 kHz
Vas	3,76 L
Mms	8,44 g
Cms	0,000307 m/N
BL	3,52 Tm
Qts	0,89
Qes	1,06
Qms	5,57
Sensitivity (dB/W/m)	87,2 dB

contact@blam-audio.fr
www.facebook.com/blamaudio
www.blam-audio.fr