

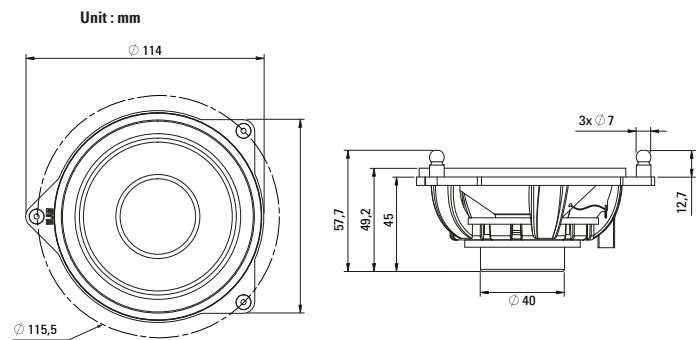
100 MN S

Mercedes & Tesla speaker

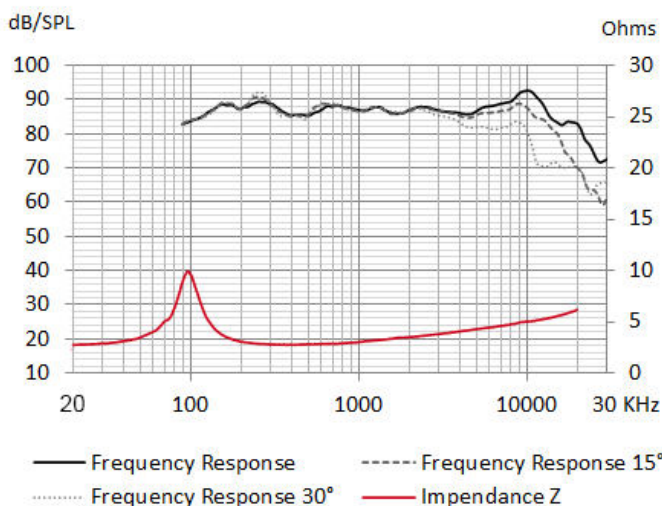
- 100 mm (4") speaker
- Max. power 80 W / Nominal Power 40 W
- Frequency response 90 Hz - 15 kHz
- Impedance 2 Ω

TECHNICAL SPECIFICATIONS

| | | |
|----------------------------------|----------------|-----------------|
| Component | Speaker | |
| Max power | 80 W | |
| Nominal power | 40 W | |
| Impedance | 2 Ω | |
| Freq. Response | 90 Hz - 15 kHz | |
| Sensitivity (2,83V/1m) | 92.7 dB | |
| Magnet | Neodymium | |
| Motor size Ø x h | 40 x 4 mm | 1.575" x 0.157" |
| Total driver displacement | 0.06 l | 0.002 cf |
| Weight of one component | 0.211 kg | 0.465 lb |
| Voice coil Ø | 25 mm | 0.984" |
| Voice coil height | 8.4 mm | 0.331" |
| Cone | Fiber glass | |



FREQUENCY RESPONSE / IMPEDANCE



THIELE-SMALL PARAMETERS

| | |
|------------------------|-----------------------|
| effective Ø (d) | 85 mm |
| Sd | 56.75 cm ² |
| Xmax | 3.45 mm |
| Re | 2.0 Ω |
| Fs | 88.87 Hz |
| Le | 26.58 µH @ 1 kHz |
| L2 | 103.83 µH @10 kHz |
| Vas | 2.33 L |
| Mms | 6.23 g |
| Cms | 0.000515 m/N |
| BL | 2.81 Tm |
| Qts | 0.72 |
| Qes | 0.92 |
| Qms | 3.26 |