

RELAX

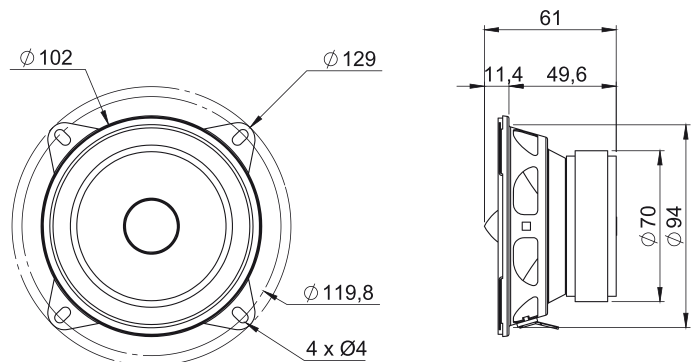
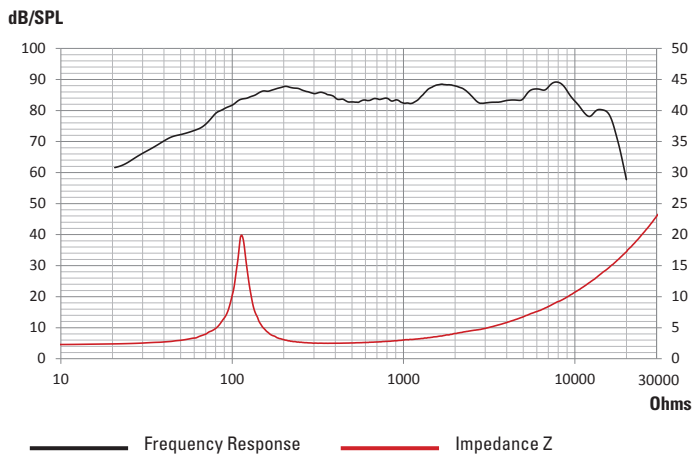
100 RS speaker

- 100 mm (4") component
- Max power 80 W - Nom. power: 40 W
- Frequency response: 100 Hz- 10 kHz
- Sensitivity (2.83V/1m) 90.2 dB

TECHNICAL SPECIFICATIONS

Component	Speaker	
Max power	80 W	
Nominal power	40 W	
Impedance	2 Ω	
Freq. Response	100 Hz -10 KHz	
Sensitivity (2,83V/1m)	90,2 dB	
Magnet	Ferrite	
Magnet size Ø x h	70 x 15 mm	2,756" x 0,591"
Total driver displacement	0,107 l	0,004 cf
Weight of one component	0,536 kg	1,182 lb
Voice coil Ø	25 mm	0,984"
Voice coil height	11 mm	0,433"
Cone	Cellulose pulp	

FREQUENCY RESPONSE / IMPEDANCE



THIELE-SMALL PARAMETERS

effective Ø (d)	82 mm
Sd	52,81 cm ²
Xmax	3,50 mm
Re	2,4 Ω
Fs	113,45 Hz
Le	88,18 µH @ 1 kHz
L2	135,30 µH @10 kHz
Vas	1,31 L
Mms	5,91 g
Cms	0,000333 m/N
BL	3,30 Tm
Qts	0,82
Qes	0,93
Qms	6,78
Sensitivity (dB/W/m)	85 dB

Guy Bonneville

BLAM
DRIVEN BY PASSION